

IBCEH

**1/24TH SCALE 4WD/4WS READY-TO-RUN
ELECTRIC POWERED ROCK CRAWLER**

IMPORTANT

**DUE TO THIS VEHICLES
DIRECT DRIVE DESIGN DO
NOT ATTEMPT TO PUSH OR
ROTATE THE WHEELS BY
HAND AS INTERNAL
TRANSMISSION DAMAGE
COULD OCCUR**



INSTRUCTION MANUAL

INCLUDING COMPONENT AND UPGRADE PARTS LISTING

www.ftx-rc.com





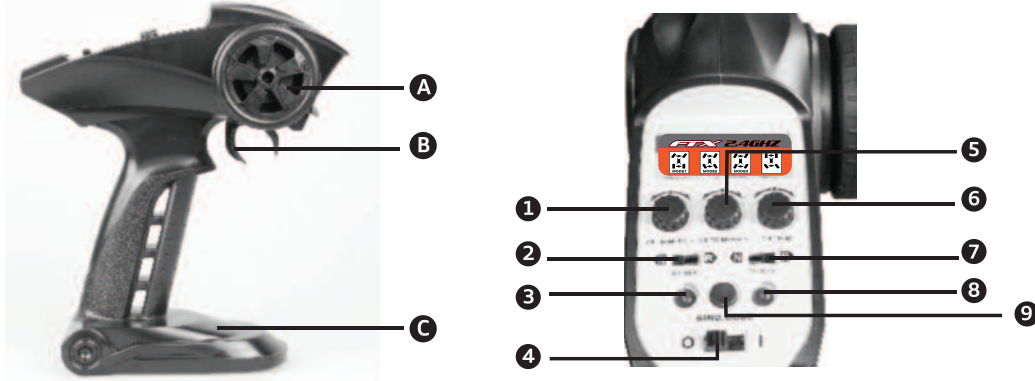
GENERAL INFORMATION

- This user's manual is designed for use with your vehicles and contains the instructions you will need to assemble, operate and maintain your vehicles.
- We know you are anxious to start driving, but it is very important that you take time to read the manual even if you are an experienced R/C driver.
- Carefully read and follow all instructions in the manual. Failure to follow the instructions will be considered abuse and/or neglect and may void the warranty.
- Your vehicle is designed to run on uneven or rough terrain. However dust, sand, water and carpet fibres can lodge in the working parts of your cars and can damage your vehicle if not removed promptly. We do not warranty your vehicle from damage due to outside elements including sand, dirt or water. The users are responsible for the maintenance and safe operation of this vehicle.
- This product is not a toy. It is not suitable for users under 14 years old unless they are supervised by adults.
- Never attempt to re-assemble any electronic components. These have been carefully calibrated at the factory.
- Only use manufactured parts to upgrade your car. If you perform a drive train upgrade, replace the entire system (Such as motor, ESC/receiver unit and the like) so that all components are properly matched. Any malfunction incurred by custom modification will void your warranty.
- Before driving your vehicle, please read this manual completely and examine your vehicle and radio control for any defects.
- For better performance, some adjustment may be necessary.
- This vehicle requires one battery pack (included in the car or in the packaging). Make sure the vehicle's batteries have a sufficient charge before driving or possible loss of control may result. The radio controller requires three AA size batteries (not include in the packaging).
- Always remove batteries from the vehicle and the radio controller when not in use.
- Please operate your vehicle in a spacious area. Never operate your vehicle in crowded street.
- This product is fully assembled at factory. We do not take any responsibility for damage and/or accidents that occur as the result of custom modifications and/or incorrect operation.



GETTING FAMILIARIZED WITH YOUR 2.4GHz RADIO SYSTEM

Your 1/24th scale rock crawler is equipped with the 2.4GHz radio system. Please read and understand all instructions below before operating.



A: Steering Wheel	1: Steering Trim	4: Power Switch	7: Throttle Reverse
B: Trigger	2: Steering Reverse	5: Steering Dual Rate	8: Green Indicator
C: Battery Case	3: Red Indicator	6: Throttle Trim	9: Bind/Mode

Steering Wheel: It proportionally operates the model's right and left steering control.

Battery Case: It requires 3pcs of AA size batteries.

Power Switch: It is used to turn the radio controller ON/OFF

Steering Dual Rate Dial: It allows you to change the amount of steering servo travel compared to the amount of physical movement of the steering wheel.

Throttle /Steering Trims: They are used to adjust the center trim of the throttle/steering channel.

Steering Reverse: It allows you to electronically switch the direction of steering servo travel. For example, if you move the steering wheel to the right and the steering servo moves to the left, flip the Steering Reverse Switch to make the steering servo move to the left.

Throttle Reverse : It allows you to electronically switch the direction that the motor operates in relation to the throttle trigger. For example, if you pull the throttle trigger to accelerate forward, but the model goes in reverse, flip the Throttle Reverse Switch to make the model accelerate forward.

Trigger: Pull it to accelerate, release it to decelerate, and release it to Centre to stop the car. Release it to Centre and then push it to allow the car to go backwards.

Indicators: It shows battery power level. Green indicator flashing means battery power is not enough. If both red and green indicator lights are flashing this indicates indicating that the radio controller battery is running out of power, you must replace with fresh batteries immediately.

Bind/Mode button: It is used to change steering modes of your car.

BATTERY INSTALLATION



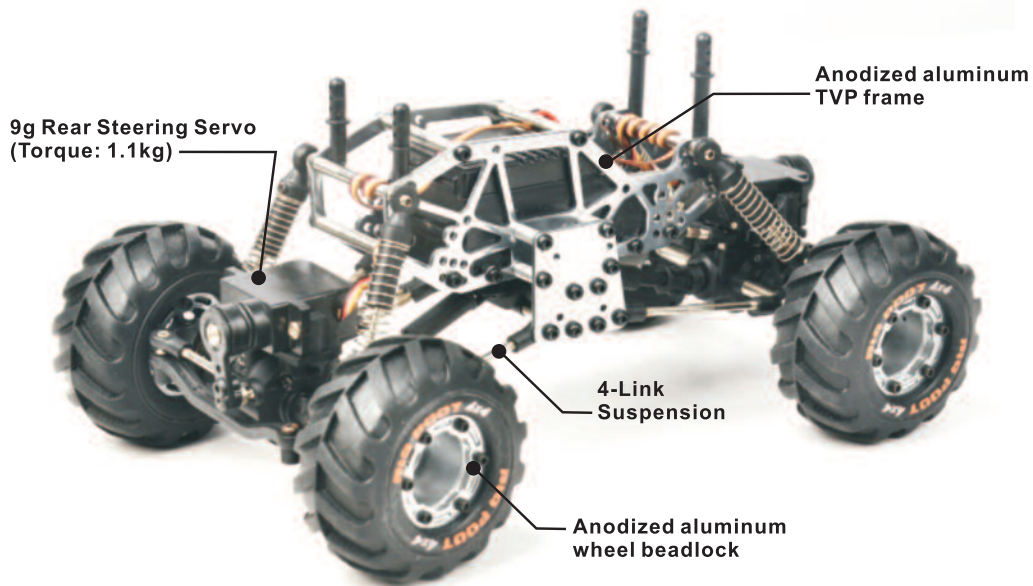
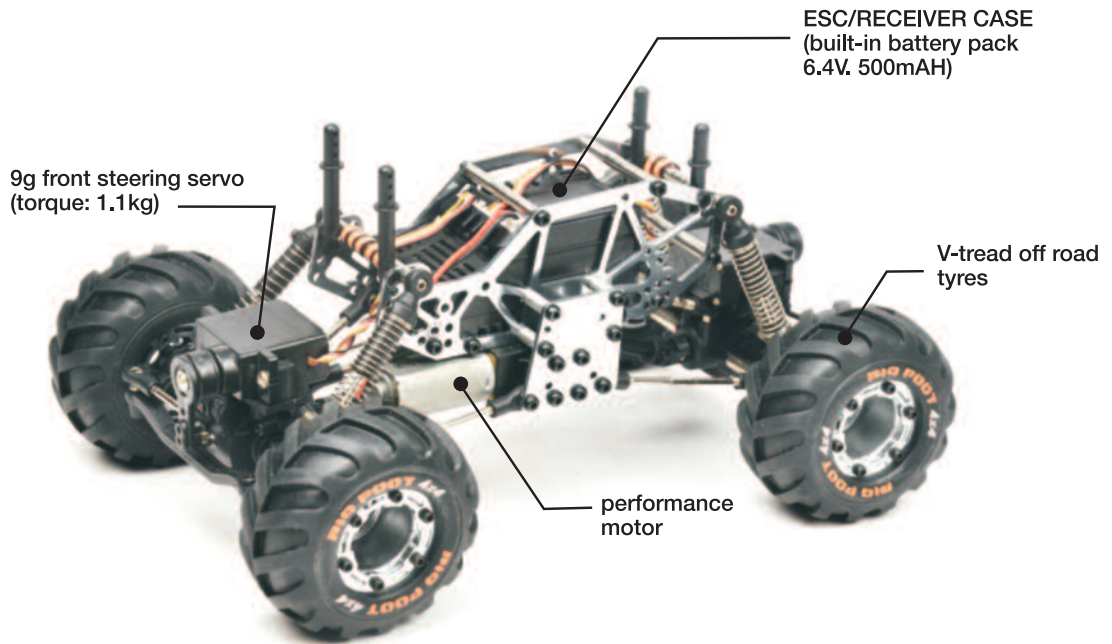
- 1) Slide the battery cover as shown, and according to the illustrations of polarities, install 3pcs of AA size batteries.
- 2) Replace the battery cover after batteries are installed.

NOTES:

- Use batteries of same type.
- Remove batteries from the case if not in use.
- Always check the battery power.
- Dispose of exhausted batteries properly.



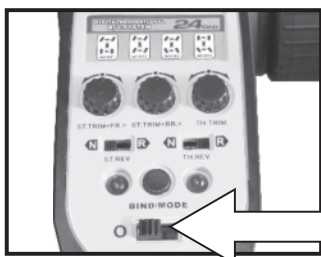
GETTING FAMILIARIZED WITH 1/24TH SCALE ROCK CRAWLER



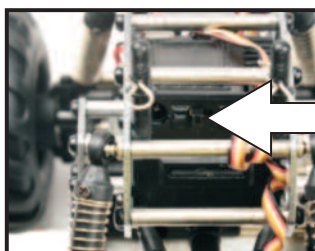
RUNNING YOUR ROCK CRAWLER

Switching on the radio controller, and then the power switch on the rock crawler.

(Note: The rock crawler is automatically bound with the radio controller when switched on.)



Switching on the radio controller



Switching on the power switch on the rock crawler

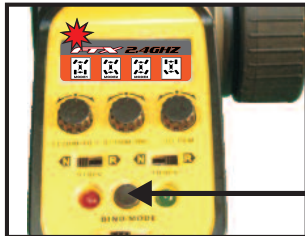


FOUR WHEEL STEERING

This 1/24th scale rock crawler features four steering modes which can be easily switchable by pressing BIND/MODE on the radio controller.

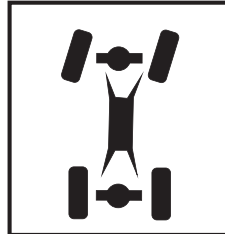
MODE 1

FRONT WHEEL STEERING



Mode 1 indicator lights up.

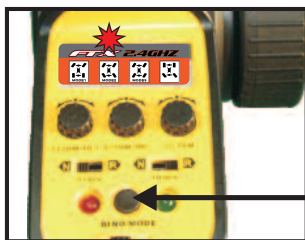
Change steering modes by pressing this button.



When the Mode 1 indicator lights up, this 1/24th scale rock crawler features front wheel steering, coming without rear wheel steering.

MODE 2

FRONT & REAR WHEEL STEERING (IN OPPOSITE DIRECTIONS)



Mode 2 indicator lights up.

Change steering modes by pressing this button.



When the Mode 2 indicator lights up, this 1/24th scale rock crawler features both front and rear wheel steering, which are performed in opposite directions.

MODE 3

FRONT & REAR WHEEL STEERING (IN SAME DIRECTION)



Mode 3 indicator lights up.

Change steering modes by pressing this button.



When the Mode 3 indicator lights up, this 1/24th scale rock crawler features both front and rear wheel steering, which are performed in same direction.

MODE 4

REAR WHEEL STEERING



Mode 4 indicator lights up.

Change steering modes by pressing this button.

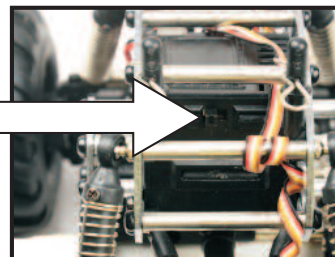


When the Mode 4 indicator lights up, this 1/24th scale rock crawler features rear wheel steering, coming without front wheel steering.

STOPPING RUNNING YOUR ROCK CRAWLER

Switching off the the power switch on the rock crawler, and then the radio controller.

Switching off the power switch on the rock crawler



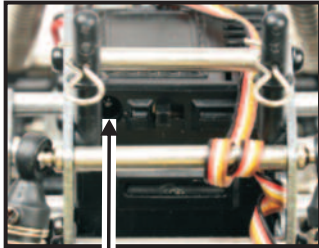
Switching off the radio controller



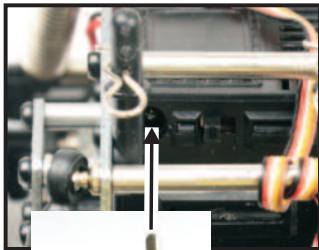


TO CHARGE THE BATTERY PACK

A battery pack (6.4V, 500mAH) is provided in the 1/24th scale rock crawler which is a built-in part inside the ESC/Receiver case. The charging socket is located on the ESC/Receiver case. (See the photo below.)



Charging Socket



Charger Connector

The battery pack is built in the ESC/Receiver case. There is no need removing battery out when charging the battery pack.

- 1) Plug the charger connector into the charging socket as shown in the photo.
- 2) Charging time is around 2 hours.
- 3) Do not charge the battery unattended.
- 4) Do not overcharge the battery. Failure to do so will shorten lifetime of battery.

MAINTAINING YOUR CAR

After running your car, the following procedures should be performed regularly and will help to maintain your car's performance.

- Inspect your car for any obvious damage.
- Check the gears for wear, debris or broken/slipping teeth.
- Check the wheels and tighten the wheel screws properly.
- Check for loose screws in the chassis.
- Check the wiring for frayed or damaged wires or connectors.
- Check the steering servos which would wear out over time and require replacement.
- Check all batteries.
- Keep the chassis clean and free of sand, dust and moisture.
- Remove and clean the motor if necessary. (Never attempt to re-assemble the motor, you will damage it and void the warranty).
- Clean the car body with a soft lint-free cloth.
- Switch off the car and the radio controller when not in use.



PART LIST 1

<p>FTX7400</p> <p>Side Plates(L/R)</p>	<p>FTX7401</p> <p>Centre Gearbox Guard Plates(L/R)</p>	<p>FTX7402</p> <p>Wheel Shafts 4P</p>	<p>FTX7403</p> <p>Lower Suspension Linkage Bars 2.2*43mm 4P</p>
<p>FTX7404</p> <p>Upper Suspension Linkage Bars 2.2*19mm 4P</p>	<p>FTX7405</p> <p>Centre Diff. Gear Posts 4P</p>	<p>FTX7406</p> <p>Ball Stud. 3.8*12.9mm 12P</p>	<p>FTX7407</p> <p>Ball Stud. 3.8*19.9mm 8P</p>
<p>FTX7408</p> <p>Side Plate Posts 3.5*30mm 8P</p>	<p>FTX7409</p> <p>Center Gearbox Guard Plate Posts 8P</p>	<p>FTX7410</p> <p>Ball Stud. 3.8*9.6mm 8P</p>	<p>FTX7411</p> <p>Balls 3.8*4mm 12P</p>
<p>FTX7412</p> <p>Centre Transition Gear (Metal)+Centre Master Gear (Metal)</p>	<p>FTX7413</p> <p>Servo Mount+Servo Retainer+Steering Rods +Shock Bottom Mount+ Shock Bodies</p>	<p>FTX7414</p> <p>Steering Hubs</p>	<p>FTX7415</p> <p>Electronic Housing Assembly+Body Posts</p>
<p>FTX7416</p> <p>Tires</p>	<p>FTX7417</p> <p>Aluminum Wheel Frames+ Mount Screws 1.5*4mm (24pcs) Beadlocks</p>	<p>FTX7418</p> <p>Wheels Complete w/ Beadlocks Installed</p>	<p>FTX7419</p> <p>Front/Rear Pinion Gears +Motor Pinion gear+ Centre Gear Box Housing</p>






















PART LIST 2

<p>FTX7420</p>  <p>Steering Servo (9g)</p>	<p>FTX7421</p>  <p>Li-ion Battery Pack (6.4V,500mAH)</p>	<p>FTX7422</p>  <p>ESC/Receiver Board</p>	<p>FTX7423</p>  <p>A) $\phi 2*5*2.5\text{mm}$ (4P) B) $\phi 3*6*2.5\text{mm}$ (8P) C) $\phi 3*7*3\text{mm}$ (4P) D) $\phi 4*8*3\text{mm}$ (4P)</p> <p>Brass Bushes</p>
<p>FTX7424</p>  <p>12P</p> <p>Shims($\phi 3.1*6*0.5\text{mm}$)</p>	<p>FTX7425</p>  <p>Assembled Drive Shaft</p>	<p>FTX7426</p>  <p>Motor w/Reduction Gears</p>	<p>FTX7427</p>  <p>Wheel Rims</p>
<p>FTX7428</p>  <p>Front Gear Box Housing + Rear Gear Box Housing</p>	<p>FTX7429</p>  <p>Shock Top Mount+ Wheel Hub Carriers</p>	<p>FTX7430</p>  <p>Centre Front /Rear Drive Shafts + Pivot Balls+ Centre Outdrives</p>	<p>FTX7431</p>  <p>Linkage Rod Ends (long 8P+ short 8P)</p>
<p>FTX7432</p>  <p>Servo Saver Kit</p>	<p>FTX7433</p>  <p>4P</p> <p>Shock Spring Coils</p>	<p>FTX7434</p>  <p>2P</p> <p>Pinion Gear Shafts</p>	<p>FTX7435</p>  <p>2P</p> <p>Steering Linkage Bars M2.2*25mm</p>
<p>FTX7436</p>  <p>2P</p> <p>Centre Spur Gear Shafts</p>	<p>FTX7437</p>  <p>4P</p> <p>Centre Idle Gear Pin $\phi 1.5*9.5\text{mm}$</p>	<p>FTX7438</p>  <p>4P</p> <p>Wheel Hex. Pin $\phi 1.5*6.9\text{mm}$</p>	<p>FTX7439</p>  <p>8P</p> <p>Steering Ball Stud. ($\phi 3.8*11.2\text{mm}$)</p>






PART LIST 3

<p>FTX7440</p>  <p style="text-align: right;">8P</p> <p>Ball Stud. φ 3.8*7.6mm</p>	<p>FTX7441</p>  <p style="text-align: right;">12P</p> <p>Sleeve Bush (φ 4*3.5mm)</p>	<p>FTX6659</p>  <p style="text-align: right;">8P</p> <p>Steering Ball Stud. (φ 3.8*9.9mm)</p>	<p>FAST M2.5</p>  <p style="text-align: right;">6P</p> <p>Lock Nut M2.5</p>
<p>FAST212</p>  <p style="text-align: right;">12P</p> <p>Body Clip A/B- Small</p>	<p>FTX7442</p>  <p style="text-align: right;">6P</p> <p>Ball Bearings φ 4*7*2.5</p>	<p>FTX7443</p>  <p style="text-align: right;">6P</p> <p>Ball Bearings φ 3*6*2.5</p>	
<p>FTX7444</p>  <p style="text-align: right;">12P</p> <p>Washer Head Self Tapping Screw 1.8*4.5mm</p>	<p>FTX7445</p>  <p style="text-align: right;">12P</p> <p>Washer Head Self Tapping Screw 1.4*2.3mm</p>	<p>FTX7446</p>  <p style="text-align: right;">4P</p> <p>Washer Head Screw 2*18mm</p>	<p>FTX7447</p>  <p style="text-align: right;">12P</p> <p>Washer Head Screw 2*8mm</p>
<p>FTX7448</p>  <p style="text-align: right;">12P</p> <p>Washer Head Screw 2*6mm</p>	<p>FTX7449</p>  <p style="text-align: right;">12P</p> <p>Washer Head Screw 2*4mm</p>	<p>FTX7450</p>  <p style="text-align: right;">12P</p> <p>Washer Head Screw 1.5*6mm</p>	<p>FTX7451</p>  <p style="text-align: right;">12P</p> <p>Countersunk Self Tapping Screw 2*6mm</p>
<p>FTX7452</p>  <p style="text-align: right;">12P</p> <p>Cap Head Hex. Self Tapping Screw 1.5*4mm</p>	<p>FTX7453</p>  <p style="text-align: right;">12P</p> <p>Flange Head Self Tapping Screw 2*8mm</p>	<p>FTX7454</p>  <p style="text-align: right;">12P</p> <p>Washer Head Screw 1.5*2.5mm</p>	<p>FTX7455</p>  <p style="text-align: right;">12P</p> <p>Washer Head Self Tapping Screw 2.3*6mm</p>

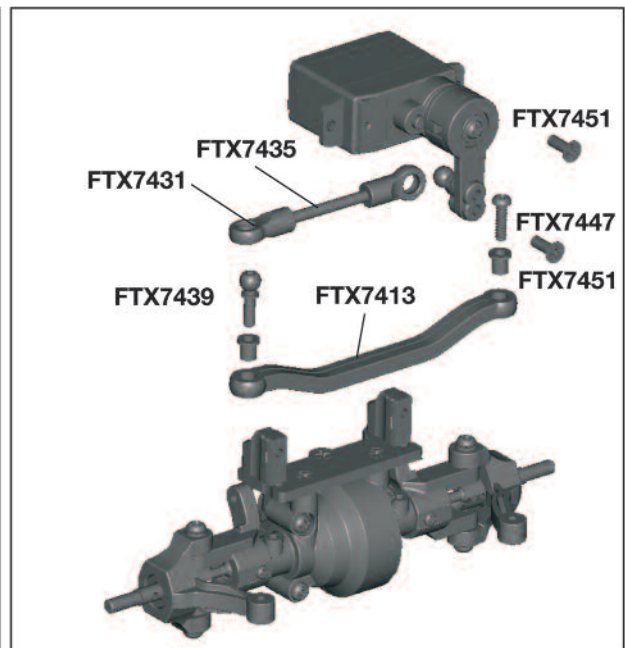
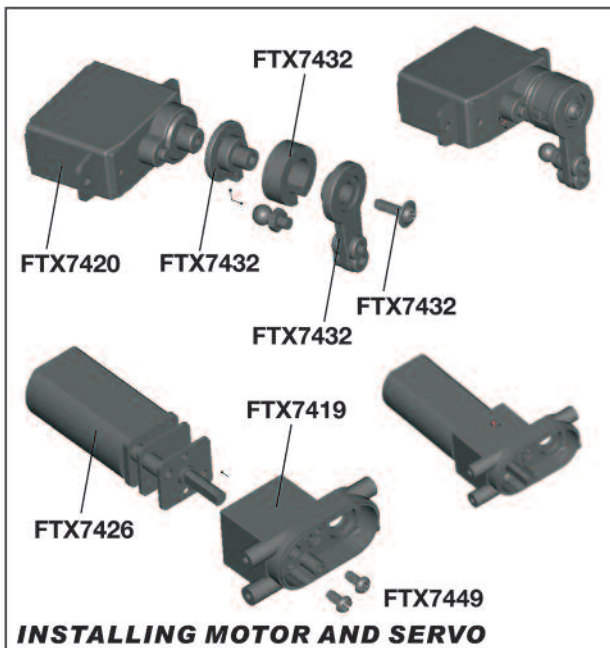
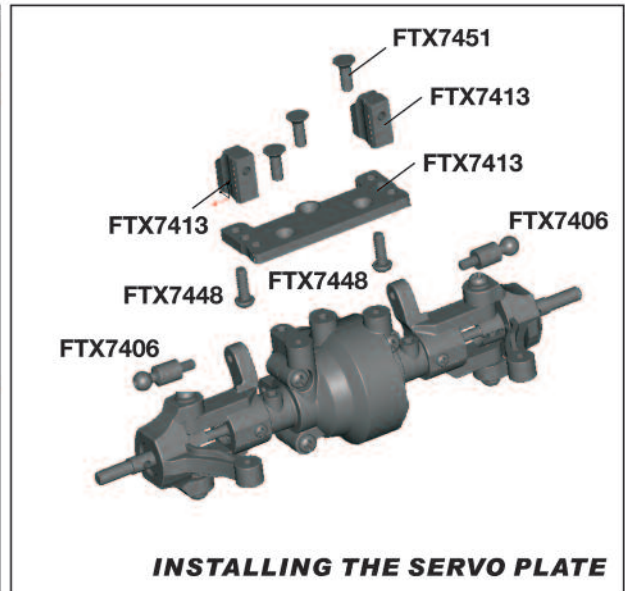
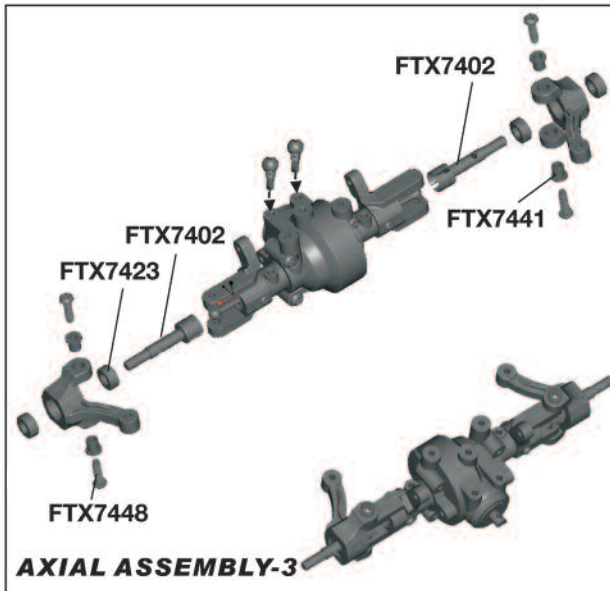
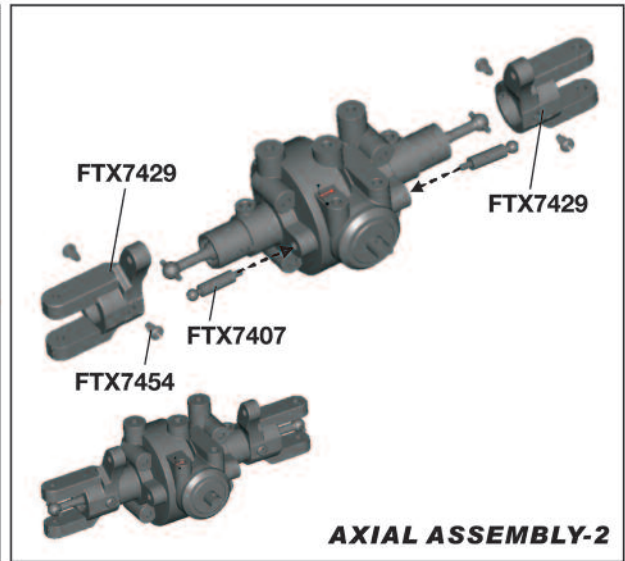
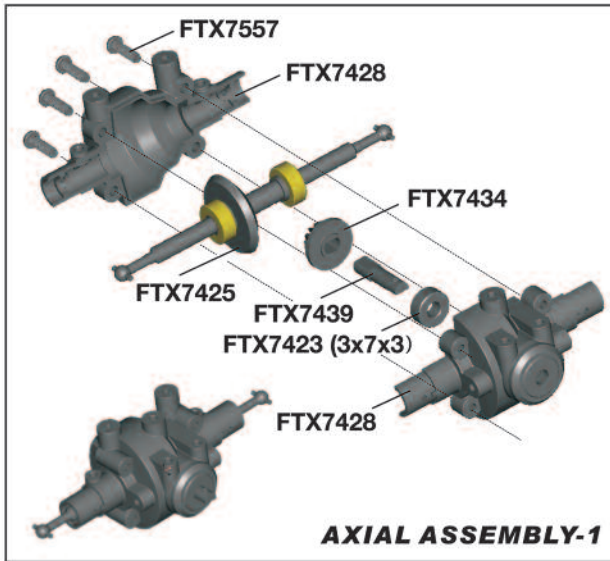


PART LIST 4

<p>FTX7456</p>  <p style="text-align: center;">12P</p> <p>Round Head Hex. Screw 2*6mm</p>	<p>FTX7457</p>  <p style="text-align: center;">12P</p> <p>Countersunk Screw 2*6mm</p>	<p>FTX7458GR GREY FTX7458GN GREEN</p>  <p>Body (w/Body Decals)</p>	<p>FTX7459</p> <p>Charger</p>

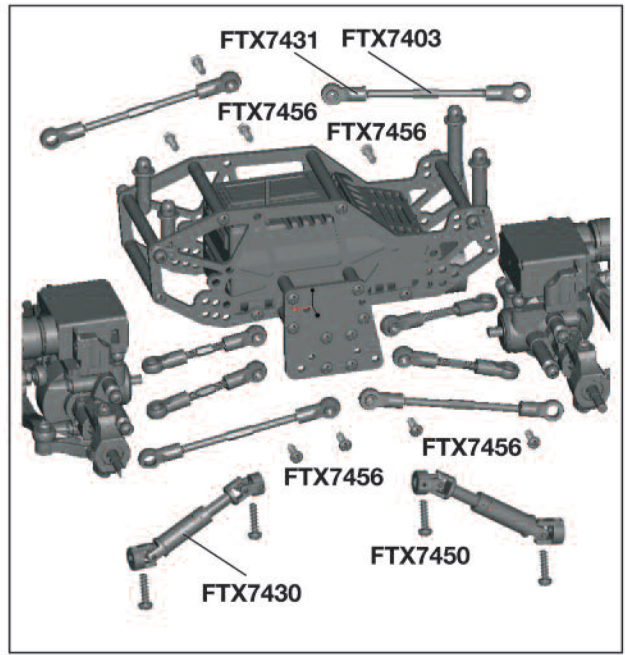
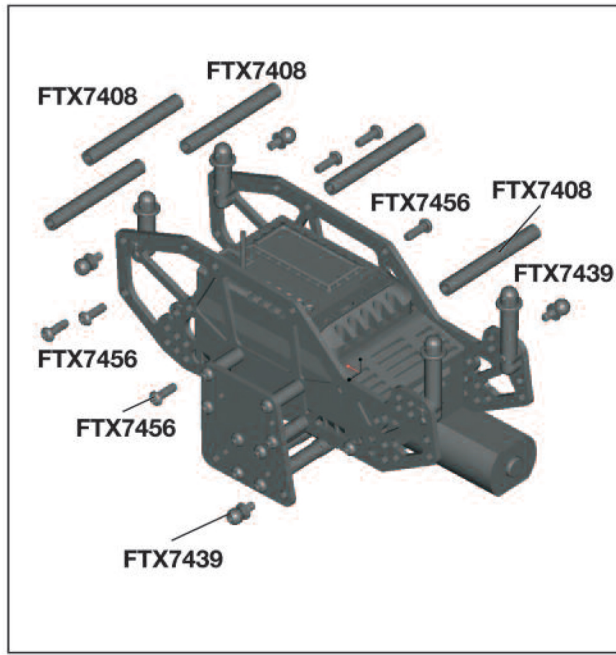
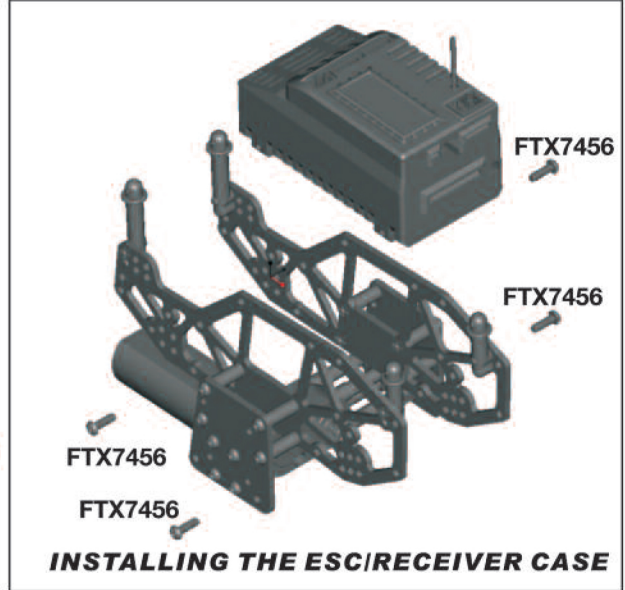
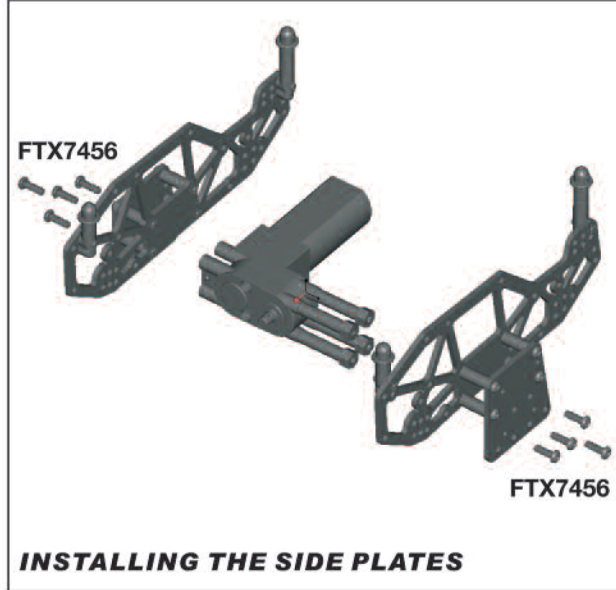
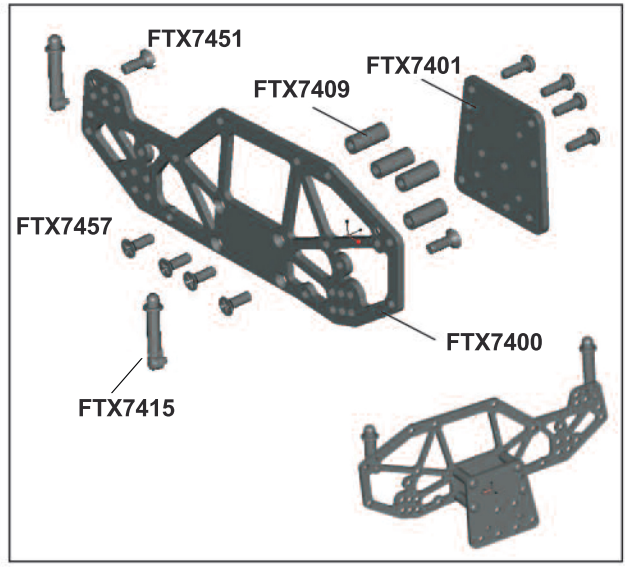
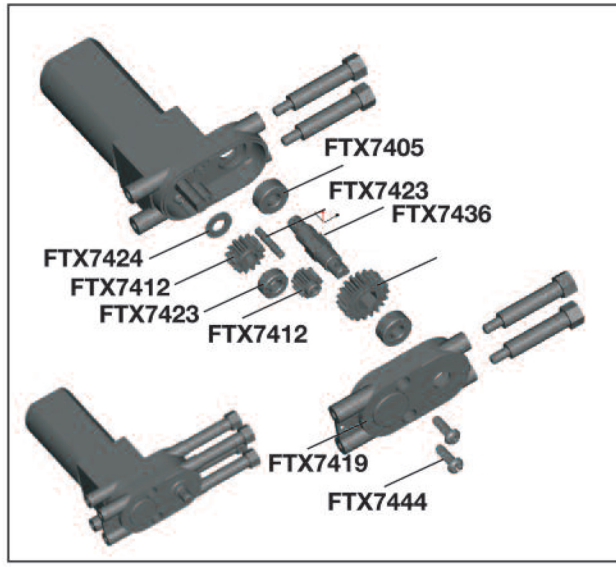


ASSEMBLY VIEW-1



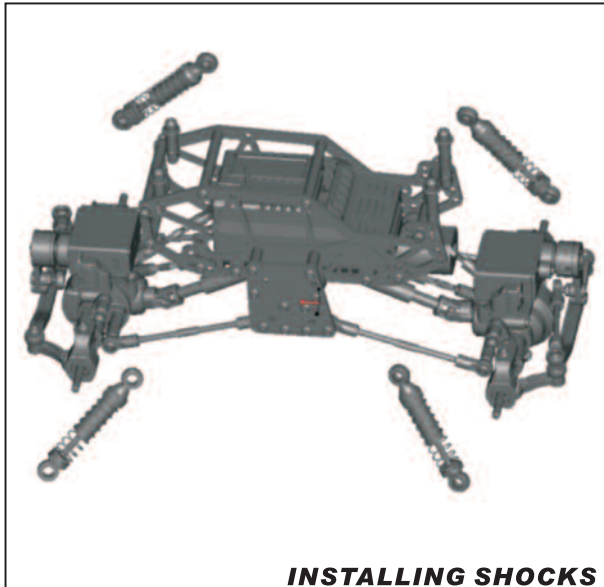


ASSEMBLY VIEW-2

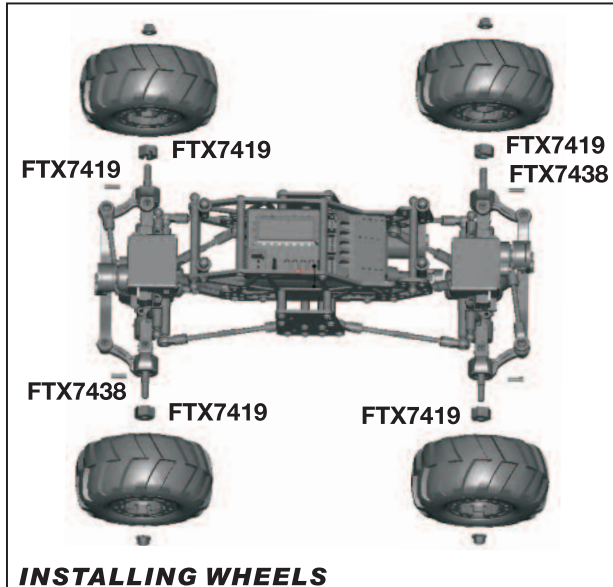




ASSEMBLY VIEW-3



INSTALLING SHOCKS



INSTALLING WHEELS

Please completely read and understand the entire manual before using, assembling and/or disassembling your remote controlled car.

- Please read and understand all instructions in the manual before running and assembling or disassembling this product.
A novice user should seek help from experienced hobby operators or local hobby shop staff.
- Always disconnect your battery pack before attempting to re-install your radio system.
- Keep away from children when you are assembling or disassembling the vehicle as it contains many small parts that might be dangerous to children.
- Always turn off your radio when it is not in use for a long period of time.
- In order to prevent battery leakage please remove all battery from your radio if not in use.
- Do not share the same frequency with somebody else when they are using RC products. If it is the case, keep away from them. Otherwise, it will cause signal confusion and do damage to your models and/or your body.
- For better radio performance fully extend the antenna on your radio controller.
- Never charge your rechargeable battery pack unattended.
- Always dispose of damaged parts into the recycle center.





Notes:

A large rectangular area with a black border, containing 20 horizontal dotted lines for writing notes.

IBEX



www.ftx-rc.com



FTX is an exclusive brand of CML Distribution, Saxon House, Saxon Business Park,
Hanbury Road, Bromsgrove, Worcestershire, B60 4AD England.
E-mail: info@ftx-rc.com